

# INVERTER SPEC

PRODUCT : CCFL BACKLIGHT INVERTER

MODEL NAME : AT-0170SS

WRITTEN	CHECKED	APPROVAL

## P.I.S Corporation

Head Office : 16-2 Block, 456-4, Moknae-Dong,  
Ansan-City, Kyonggi-Do, 425-100, Korea

TEL : +82-31-492-2146

FAX : +82-31-492-2147



## 1. APPLICATION

This Document Specified The Detailed Product Requirements of Inverter AT-0170SS

## 2. SUITABLE LOAD

LCD MODULE : SEC17" 4LAMP TFT LCD

## 3. ELECTRICAL CHARACTERISTICS

### 1) Absolute Maximum Ratings

ITEM	SYMBOL	SPEC	UNIT	REMARKS
INPUT VOLTAGE1	Vin 1	11.0 ~ 13.0	V	
INPUT VOLTAGE2	Vin 2	4.8 ~ 5.2	V	
OPERATING TEMPERATURE	Top	0 ~ 50		
STORAGE TEMPERATURE	Tstg	-20 ~ 80		
RELATIVE HUMIDITY	RH	90	%	

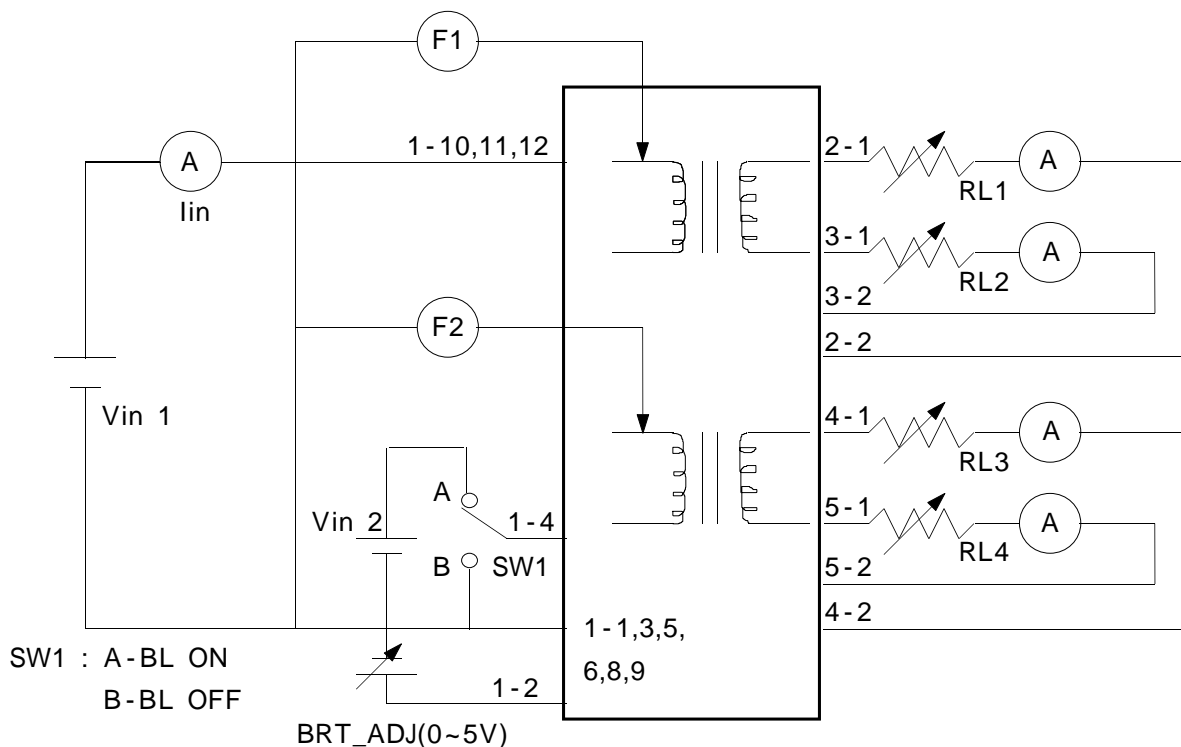
### 2) Control Signal

PIN NO	SYMBOL	STATUS	ACTION	REMARKS
CN1 #4	BKLT_ON	HIGH	LAMP(CCFL)-ON	2.0V~5.0V
		LOW	LAMP(CCFL)-OFF	0 ~ 0.3V

### 3) Output Characteristics

ITEM	SYMB OL	CONDITION			SPECIFICATION			UNIT
		Vin1(V) (DC-IN)	BRT- ADJ	RL(kΩ) (Ref)	MIN	TYP	MAX	
OUTPUT CURRENT	Io1,2 (max)	11~13	0V	90±0.5	5.5	6.5	6.5	mArms
	Io1,2 (min)	11~13	5V	90±0.5	2.0	3.0	4.0	
	Io3,4 (max)	11~13	0V	90±0.5	5.5	6.5	6.5	
	Io3,4 (min)	11~13	5V	90±0.5	2.0	3.0	4.0	
INPUT CURRENT	Iin	12	0V	90±0.5	1.6	1.9	2.2	ADC
FREQUENCY	F1	12	0V	90±0.5	40	50	60	KHz
FREQUENCY	F2	12	0V	90±0.5	40	50	60	KHz
DIMMING FREQUENCY	F_D	12	5V	90±0.5	400	500	600	Hz

### 4) Test Circuit





# SPECIFICATION

MODEL : AT-0170SS

DATE : 2003. 01. 02

## 4. INTERFACE

1) CN1 CONNECTOR : 12505WR-12A00(YEONHO)  
or 53261-1290(MOLEX)

PIN NO	SYMBOL	REMARK
10,11,12	DC-IN(Vin)	DC INPUT POWER(12V)
7	N.C	NO CONNECTION
4	BL ON/OFF	CCFL DRIVE SIGNAL
2	BRT_ADJ	0 ~ 5V
1,3,5,6,8,9	GND	GND

2) CN2 CONNECTOR : 35001WR-02P(YEONHO)  
or 68176-0217(MOLEX)

PIN NO	SYMBOL	REMARK
1	HOT	HIGH
2	COLD	LOW

3) CN3 CONNECTOR : 35001WR-02P(YEONHO)  
or 68176-0217(MOLEX)

PIN NO	SYMBOL	REMARK
1	HOT	HIGH
2	COLD	LOW

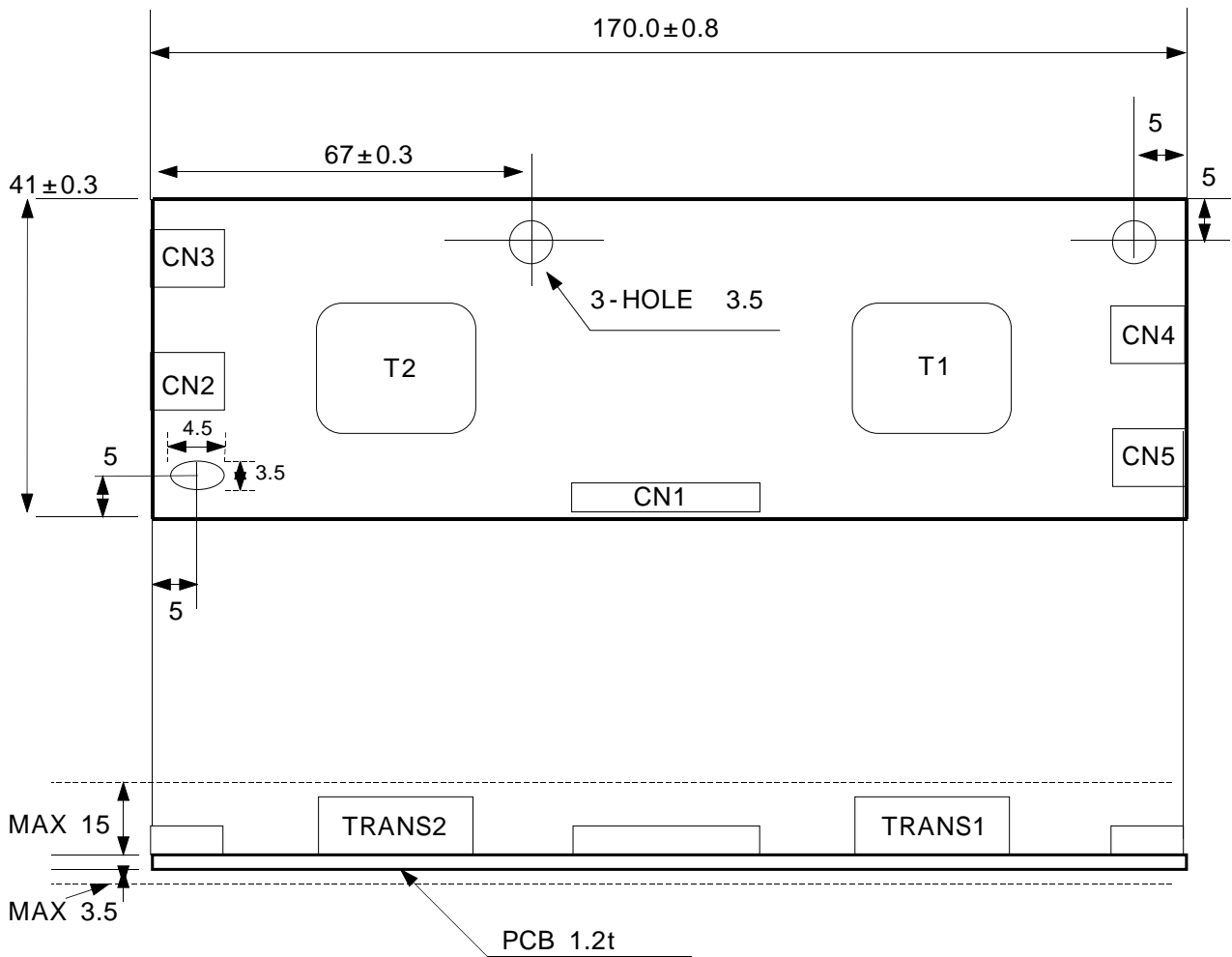
4) CN4 CONNECTOR : 35001WR-02P(YEONHO)  
or 68176-0217(MOLEX)

PIN NO	SYMBOL	REMARK
1	HOT	HIGH
2	COLD	LOW

5) CN5 CONNECTOR : 35001WR-02P(YEONHO)  
or 68176-0217(MOLEX)

PIN NO	SYMBOL	REMARK
1	HOT	HIGH
2	COLD	LOW

## 5. APPEARANCE (UNIT:mm)



TOLERANCE : ± 0.3m